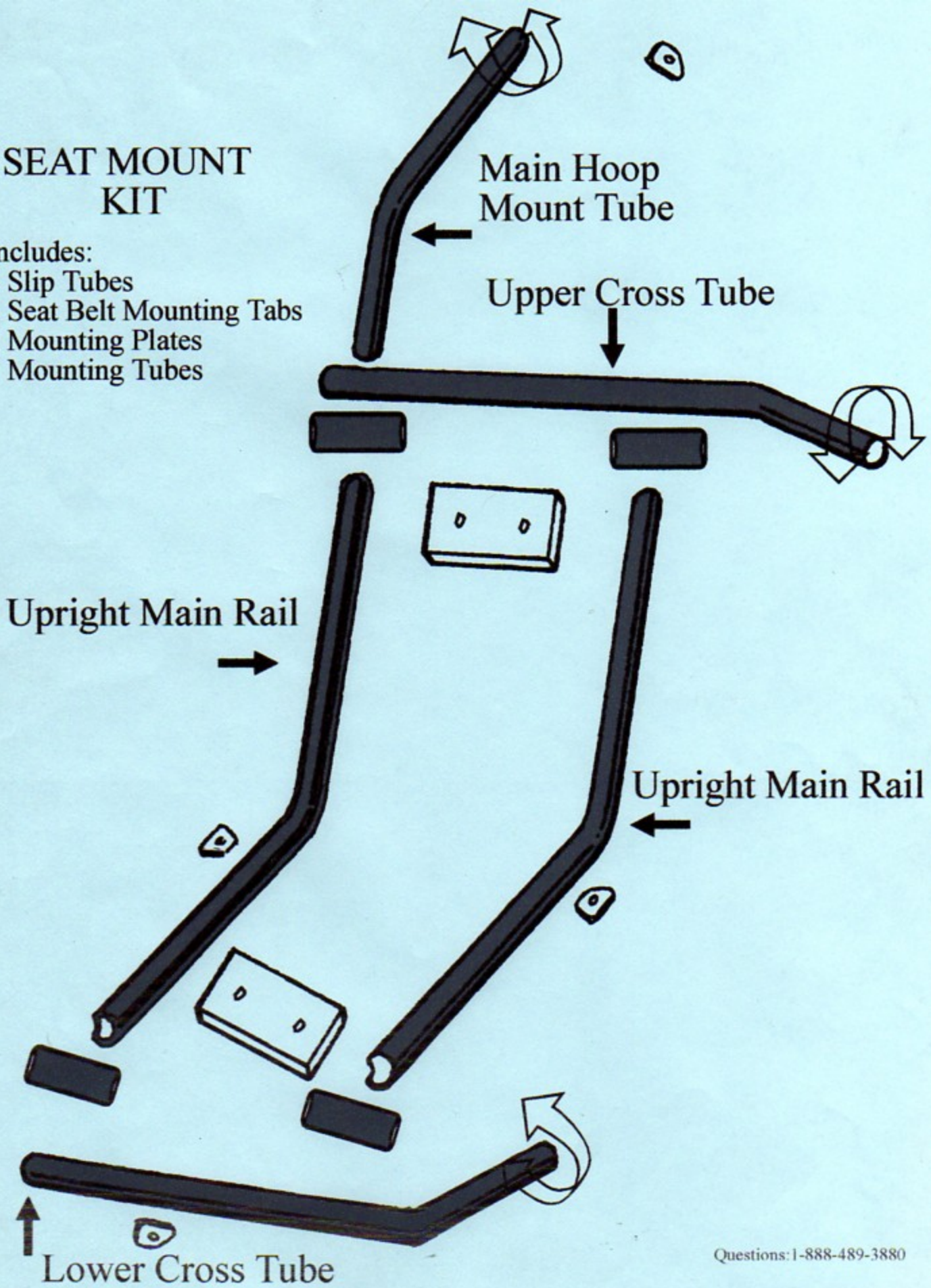


# SEAT MOUNT KIT

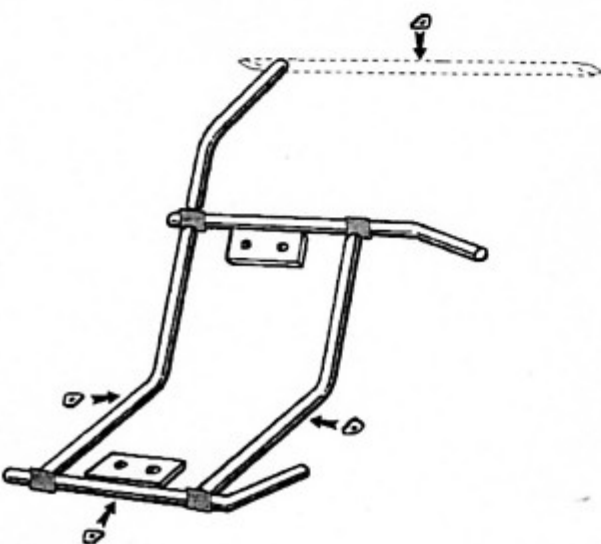
- Includes:  
4 Slip Tubes  
4 Seat Belt Mounting Tabs  
2 Mounting Plates  
5 Mounting Tubes



Questions: 1-888-489-3880

# SEAT MOUNTING KIT INSTRUCTIONS

1. Make sure that the length and height of the *upright main rails* are suitable. If not, trim to shorten and re-notch.
2. Tack weld the *four slip tubes* provided to the ends of the *upright main rails*.
3. Insert the straight ends of the *upper and lower cross tubes* into the *slip tubes*. Spread the *uprights* to a width, which will allow your seat to be cradled between the *uprights*.
4. Place the entire assembly, with the seat, into the cockpit of the car.
5. With the driver in the seat, position for height, distance back and layback. Temporarily brace or prop the seat in this position.
6. With driver out of the way, extend and rotate the *cross tubes* in the direction of the nearest door bar and trim to fit. Tack weld.
7. Take the *main hoop mount tube* and adjust the length to fit from the seat mount to the main hoop cross bar. Fit and tack.
8. Place the seat in the mount and position the *2 flat plates* at the *upper and lower cross tubes* so that they are flush with the bottom and back of the seat. Tack the *plates* in position. Use a marker to mark the holes on the seat to drill.
9. Position the *belt tabs*. Be sure that the belt tab is not pointed in any way towards your body. Be sure that mounting brackets are mounted at an angle that is the same as the direction of the pull on the webbing under full load.
10. Finish weld all joints. Be sure to weld slip tubes to upper and lower Cross-Tubes.
11. Bolt seat in place with minimum Grade 5 hardware (hardware not included) and install cover.



## belt mounting

